

ATRIA II 6

SPECIFICATION SHEET
STATIC WHITE

REIMAGINING PERFORMANCE SPACES

Housing

Diameter : Ø6.4" | Height : 15" | Weight : 19.8 lbs

Material

Housing : High Pressure Die-Cast Aluminum

Optics : Aluminum Reflector

Power Input

40W, 60W, 80W, 100W | 120-277V

Lumen Output

5,160 lm (40W), 8,590 lm (60W), 10,920 lm (80W), 11,950 lm (100W)

Dimming

Standard 0-10V : Dims to 10%

Superior 0-10V : Dim to 1%

DMX : High resolution dims to 0.1%

TRC : Linear line-voltage phase control, dims to 1%

LDE1 : Hi-Lume 1% EcoSystem

DALI : Dims to 10%

Color Quality

CRI 85, CRI 93

Rated Life

> 100,000 Hours (L70)

Finish



Matte Black

Matte White

Color Temperature



2700K

3000K

3500K

4000K

Optics



40°



60°



Wide

Mounting



Stem Mount



Adjustable Cable



Wall Mount



Yoke Mount



Surface Mount

Warranty

5 Year limited warranty

Listing



DesignLights Consortium™ Qualified Luminaires:

DLC QPL Product ID: S-M8KM3S

Not all product variations listed are DLC qualified.

To ensure that a specific model is qualified, visit www.designlights.org/search

Versatile and Compact Architectural Cylinder

Engineered for performance spaces, this cylinder offers versatile mounting and advanced dimming options. It seamlessly blends into ceilings, delivering powerful performance with vibrant, color-changing technology that elevates any stage environment.

With its next-gen design, the Atria Mark II features an upgraded light engine that boasts a 30% increase in lighting output across the series and introduces a new SilentBlack™ finish that reduces reflectance to under 5%.



METEOR

meteor-lighting.com

SPECIFICATION

PROJECT NAME

DATE

CATALOG #

QUANTITY

The product configurator function on this page works only with the latest version of Chrome or Adobe Acrobat Reader.

| | | | | | |
|--------------------------|--------------|--------------------|---|--|---|
| <input type="checkbox"/> | ASII6 | MODEL | ATRIA II 6 | | |
| <input type="checkbox"/> | | WATTAGE | 40 40W 100 100W | 60 60W | 80 80W |
| <input type="checkbox"/> | | CCT / CRI | 278 2700K / CRI 85 309 3000K / CRI 93 408 4000K / CRI 85 | 279 2700K / CRI 93 358 3500K / CRI 85 | 308 3000K / CRI 85 359 3500K / CRI 93 |
| <input type="checkbox"/> | UNV | VOLTAGE | UNV 120 – 277V | | |
| <input type="checkbox"/> | | DIMMING | STV Standard 0-10V dims to 10% DMXR DMX dims to 0.1% (RJ45 Sockets) LDEI² Hi-Lume 1% EcoSystem LED Driver with Soft-on, Fade-to-Black | SPV Superior 0-10V dims to 1% DMXW DMX dims to 0.1% (Hard-wired) DALI DALI dims to 10% | DMX DMX dims to 0.1% (XLR Sockets) TRC¹ Linear line-voltage phase control, dims to 1% |
| <input type="checkbox"/> | | BEAM ANGLE | 40 40° | 60 60° | WD³ Wide |
| <input type="checkbox"/> | | FINISH | BLK SilentBlack™, Matte Finish | WHT SilentWhite™, Matte Finish | |
| <input type="checkbox"/> | | RIM FINISH | STD Standard Trim | GLR Glowing Ring | |
| <input type="checkbox"/> | | MOUNTING | SUM Surface Mount AD10 Adjustable Cable 10ft WLM⁴ Wall Mount | ST2 Stem 2ft SAD10 Sloped Adjustable Cable 10ft | ST4 Stem 4ft YKM Yoke Mount |
| <input type="checkbox"/> | | ACCESSORIES | SPD⁵ Surge Protector CB⁷ Cross Baffle AWN¹⁰ Lutron Athena Wireless Node Standalone Module NXC¹³ NX Radio Module Canopy | EMP Remote Emergency Pack CT⁸ Conduit Mount AWNC¹¹ Lutron Athena Wireless Node Canopy | DF⁶ Diffuser FCS⁹ Field Cut Stem Adapter Kit NX¹² NX Radio Module Standalone Module |

CLEAR FORM

¹ TRC is only compatible with 120V and not compatible with 100, CB
² LDEI is not compatible with 100, CB
³ WD option reduces delivered lumens by ~20%
⁴ WLM is not compatible with DMX, DMXR; connections are hard-wired using three DMX wires
⁵ Surge protector for up to 10KV. Applicable for unstable mains or facilities using high power machineries
⁶ DF option reduces delivered lumens by ~12% (~20% with WD)
⁷ CB option reduces delivered lumens by ~30%
⁸ CT is not compatible with SUM, YKM, WLM
⁹ FCS is not compatible with SUM, AD10, SAD10, YKM, WLM
¹⁰ AWN is not compatible with STV, DMX, DMXR, DMXW, TRC, LDEI
¹¹ AWNC is not compatible with STV, DMX, DMXR, DMXW, TRC, LDEI, SUM, YKM, WLM
¹² NX is not compatible with DMX, DMXR, DMXW, TRC, LDEI, DALI
¹³ NXC is not compatible with DMX, DMXR, DMXW, TRC, LDEI, DALI, SUM, YKM, WLM

TECHNICAL DETAILS

Electrical

- 5,160 lm (40W), 8,590 lm (60W), 10,920 lm (80W), 11,990 lm (100W)
- Power Input : Universal (120-277V)
- Operating Temperature : -13°F~112°F
- Surge Protection : Built-in is 4KV
- Emergency Pack with Mounting Plate : Bodine BSL20B2UEK55C111

LED Features

- Color Temperature: 2700K, 3000K, 3500K, 4000K
- CRI 85, CRI93
- Long lasting LED luminaire tested under TM21 lumen maintenance L70 @ 100,000 Hrs
- Lumen Maintenance > 0.90 at 60,000 hours

Optics

- Aluminum Reflector
- Beam Angle : 40°, 60°, WD

Advanced Dimming

- Proprietary VX Driver™ is integrated across all dimming options, delivering video flicker-free performance and full compliance with IEEE 1789.
- Standard 0-10V : Dims to 10%
- Superior 0-10V : Dim to 1%
- DMX : High resolution dims to 0.1% (Supports ANSI E1.20 RDM protocol)
- TRC : Linear line-voltage phase control, dims to 1% (120V only)
- LDE1 : Hi-Lume 1% EcoSystem LED Driver with Soft-on, Fade-to-Black
- DALI : Dims to 10%

Housing

- Diameter : Ø6.4"
- Height : 15"
- Material : High Pressure Die-Cast Aluminum
- Weight : 19.8 lbs

Mounting

- Stem 2ft or 4ft; 45° Swivel Canopy Included
- Adjustable Cable 10ft
- Sloped Adjustable Cable 10ft
- Surface Mount
- Yoke Mount
- Wall Mount

Warranty

- 5-year limited warranty

Listing

- DLC Listed
- ETL Damp Location Listed
- CE
- FCC
- UKCA

PERFORMANCE SUMMARY*

| Delivered Lumens | | | | | Current Consumption | | |
|------------------|----------|----------|----------|----------|---------------------|-------|-------|
| CCT/WATTAGE | 2700K | 3000K | 3500K | 4000K | WATTAGE / VOLT | 120V | 277V |
| 40W | 4,825lm | 5,070lm | 5,155lm | 5,160lm | 40W | 0.37A | 0.16A |
| 60W | 7,650lm | 8,040lm | 8,130lm | 8,590lm | 60W | 0.55A | 0.24A |
| 80W | 9,340lm | 9,995lm | 10,445lm | 10,920lm | 80W | 0.73A | 0.32A |
| 100W | 10,650lm | 11,555lm | 11,960lm | 11,990lm | 100W | 0.92A | 0.4A |

*Beam Angle: 60° *Tolerance ±8%

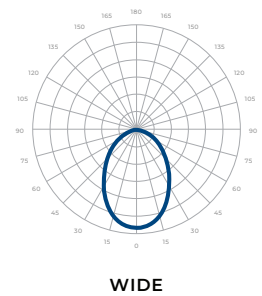
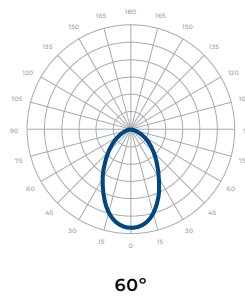
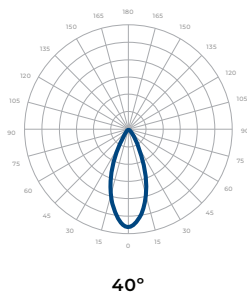
*For specifications requiring a CRI of 93, apply a 0.75 multiplier to the lumen output values listed.

PERFORMANCE SUMMARY*

| Emergency Pack Lumen Output Table | | | |
|-----------------------------------|---------|---------|---------|
| CCT | 2700K | 3000K | 4000K |
| LUMEN | 1,640lm | 1,760lm | 1,890lm |

PHOTOMETRICS

Below is a typical photometric representation of the Atria II 6 fixture. Please download IES files to ensure exact photometric value.

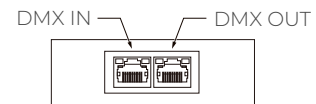


DMX REQUIREMENTS

The Atria II 6 fixture with DMX is a **single channel dmx** unit. When placing an order, please indicate DMX address. (The DMX address will be listed on the back of the fixture). Do not connect more than 32 fixtures per DMX daisy chain.

The fixture can be connected with RJ45 or XLR sockets. DMX cables **are not** included; please refer to compatible DMX cabling list for more information. The final fixture on each daisy chain should be terminated by the use of a DMX terminator purchased from a 3rd party or from Meteor.

| CONNECTION | RJ45 (CAT5e) | 5-PIN XLR |
|------------|-----------------------------------|-----------|
| Common | WHITE/BROWN(PIN7) & BROWN (PIN 8) | PIN 1 |
| Signal - | ORANGE (PIN 2) | PIN 2 |
| Signal + | WHITE/ORANGE (PIN 1) | PIN 3 |
| Spare | - | PIN 4 |
| Spare | - | PIN 5 |



RJ45 Sockets



XLR Sockets

COMPATIBLE DMX CABLING LIST

DMX uses a cable consisting of two twisted pairs plus a shield to carry data. The cable must be specifically impedance matched for the digital DMX signal, meaning that microphone cable or other non-rated cable **must not be used to carry DMX**. Network cable (Cat5, 5e or 6 cable) may be used to carry DMX in an installation; however special consideration must be given to shielding and termination. Under no circumstances should solid core cable like Cat5 be terminated into a screw down connector.

Meteor recommends the use of Belden 9729 for DMX installation. Belden 9729 is a two pair cable, which allows for a spare pair for 'out and back' type terminations if needed.

COMPATIBLE LDE1 DIMMER LIST

| LUTRON PART NO. | | | | | | |
|-----------------|--------------|------------|-------------|----------|---------|----------|
| RMJ-ECO32-DV-B | FCJ/FCJS-ECO | QSN-1ECO-S | QSN-2ECO-S | QSGRJ-_E | QSGR-_E | QP2-__2C |
| QP2-__4C | QP2-__6C | QP2-__8C | LQSE-2ECO-D | | | |

COMPATIBLE TRC DIMMER LIST

| PART NO. | | | | | |
|------------------|-------------------|------------------|------------------|-----------------|---------------------|
| Lutron S-603PG | Lutron DVCL-153P | Lutron DVLV-600P | Lutron TGCL-153P | Lutron S-600P | Lutron DVELV-303P |
| Lutron SELV-300P | Lutron TG-600P | Lutron DVLV-600P | Lutron LG-600P | Lutron CT-103P | Lutron MAELV-600 |
| Lutron FAELV-500 | Leviton IPI06-1LZ | Leviton 6631-2 | Leviton VPE06 | Leviton 6683-IW | Leviton 6161 |
| Leviton 6633-P | Leviton IPE04 | Cooper DLC03P | Cooper SLC03P | Cooper DAL06P | Lightolier ZP260QEW |

RIM FINISH

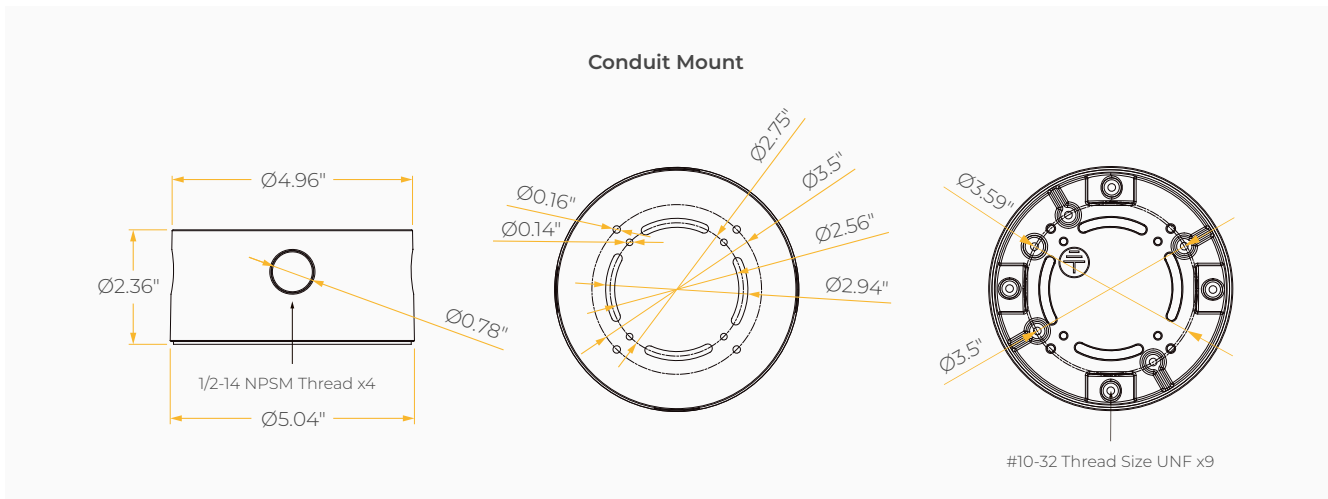
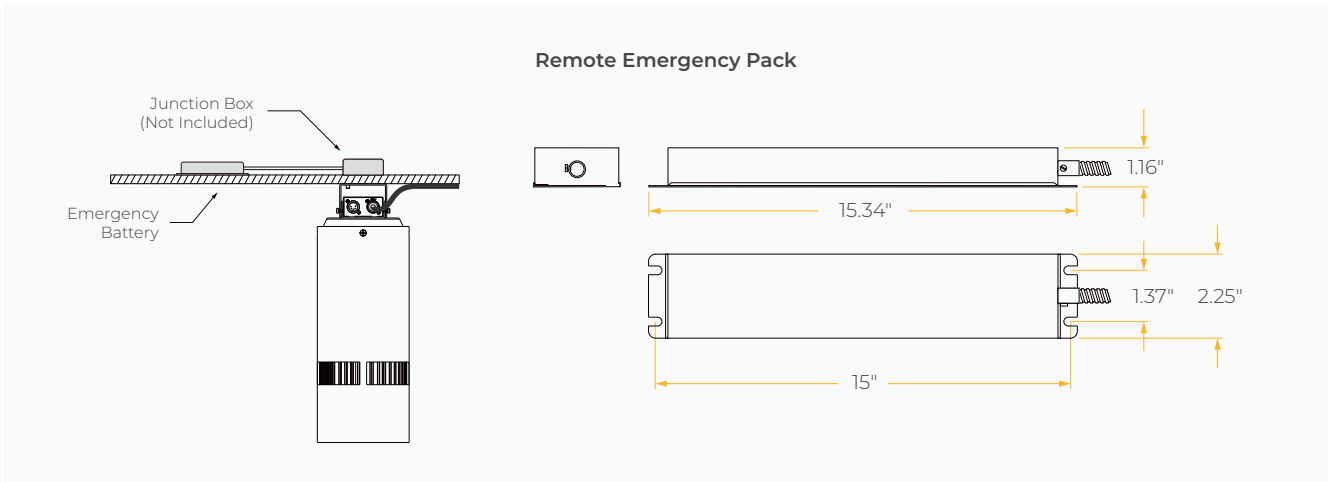
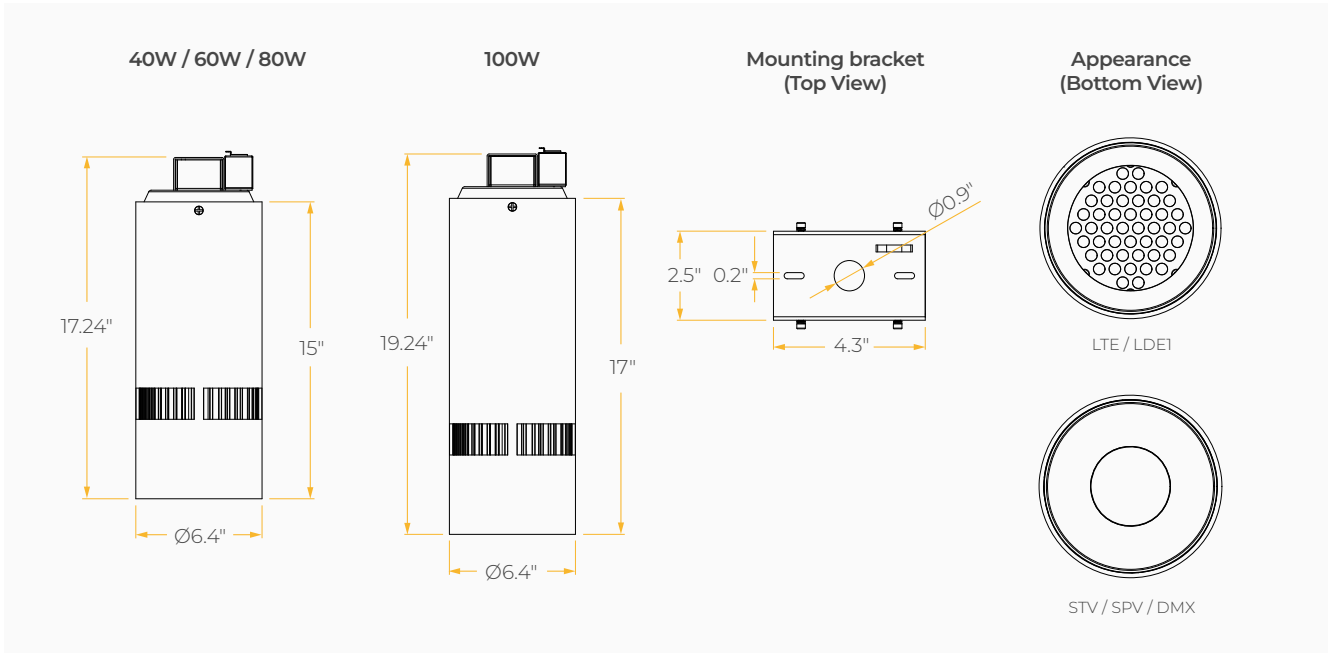


Standard Trim



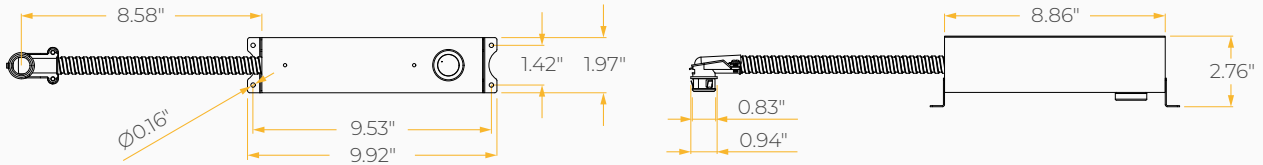
Glowing Ring

DIMENSIONS

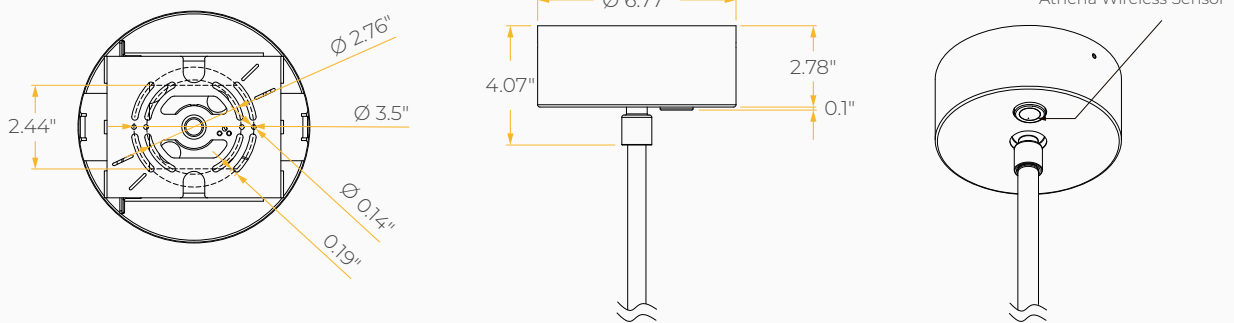


DIMENSIONS

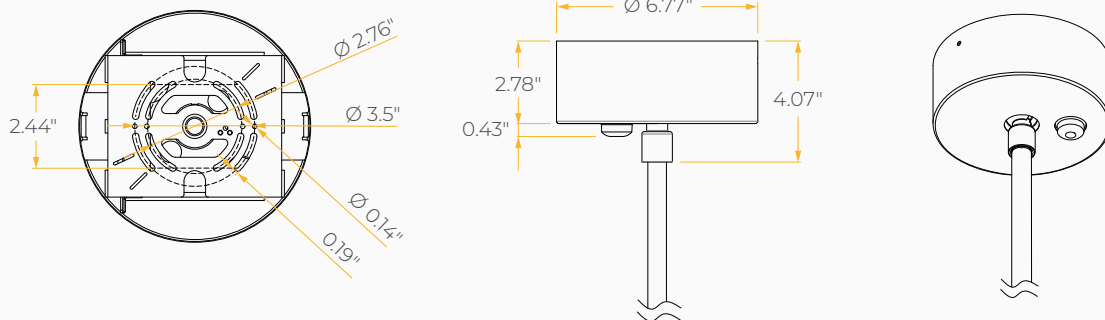
Lutron Athena Wireless Node / NX Radio Standalone Module



Lutron Athena Wireless Node Canopy



NX Radio Node Canopy



MOUNTING OPTIONS*

*Junction Box not included

